



## | GV210 Series

### SPST-NO 900 VDC CONTACTOR

#### Introduction

Sensata | GIGAVAC GV210 Series contactors are hermetically sealed, gas filled contactors suitable for use in harsh environments. With contact voltage ratings from 12Vdc to 900Vdc and a hot switchable continuous carry current of 100A, the compact GV210 Series is ready to solve your next challenging application problem. Like all Sensata | GIGAVAC advanced switching solutions these contactors can be mounted in any axis or orientation and are sealed to withstand a variety of harsh environments. GV210 Series contactors meet RoHS and CE Conformance requirements and are built in accordance to IATF-16949.



#### Features

- Hermetically sealed and intrinsically safe. Not mounting position sensitive.
- Operates in explosive/harsh environments without oxidation or contamination of contacts.
- Eligible for use in hazardous/classified operating environments
- High voltage isolation between open contacts, inert gas filled contact chamber
- Designed and built in accordance to IATF-16949
- Flying leads for coil connections

#### Applications

- Battery electric vehicles
- DC motor controller protection
- DC fast charging
- Photovoltaic controls
- Energy Storage systems



#### SPECIFICATIONS

<b>Contact Arrangement</b>		Main Contacts SPST-NO (Form X)
<b>Mechanical Life</b>		1 million cycles
<b>Contact Resistance</b>		0.5mΩ (max) @ 100A
<b>Shock, 11ms 1/2 sine (operating)</b>		20G peak
<b>Sine Vibration, 55-2,000 Hz.</b>		20G peak
<b>Weight</b>		6.7 oz (190g)
<b>Voltage Rating: Main Contacts (max)</b>		900VDC
<b>Current Rating: Main Contacts</b>	<b>Continuous (8.4 mm<sup>2</sup> / 8 AWG)<sup>1</sup></b>	100A
	<b>Continuous (21 mm<sup>2</sup> / 4 AWG)<sup>1</sup></b>	150A
	<b>Short Term -- 3 Minutes<sup>2</sup></b>	200A
<b>Maximum Short Circuit Current (1/2 cycle, 60 Hz) (through closed contacts)</b>		1,250A
<b>Dielectric Withstand Voltage (ASTM D149)</b>	<b>Between Open Contacts</b>	>5,000Vrms
	<b>Contacts to Coil</b>	>3,000Vrms
<b>Insulation Resistance, Terminal to Terminal / Terminals to Coil</b>	<b>When New</b>	500 MΩ, min. @ 500Vdc
	<b>At End of Life</b>	50 MΩ, min. @ 500Vdc
<b>Operating Temperature Range</b>		-40°C to +85°C
<b>Environmental Seal</b>		Exceeds IP67 and IP69
<b>Salt Fog Spray</b>		MIL-STD-810G

## COIL RATINGS at 25°C

<b>Nominal Voltage</b>	12Vdc	24Vdc	48Vdc
<b>Maximum Voltage</b>	16Vdc	28Vdc	52Vdc
<b>Pick Up Voltage</b>	Up to 9.6Vdc	16Vdc	33Vdc
<b>Drop Out Voltage</b>	1.2Vdc	2.4Vdc	4.8Vdc
<b>Coil Current</b>	461mA	250mA	122mA
<b>Coil Power</b>	5.5W	6.0W	6.0W
<b>Coil Resistance ± 5% (ohms)</b>	26	96	392
<b>Operate Time</b>	25ms		
<b>Release Time</b>	10ms		



## DIMENSIONS

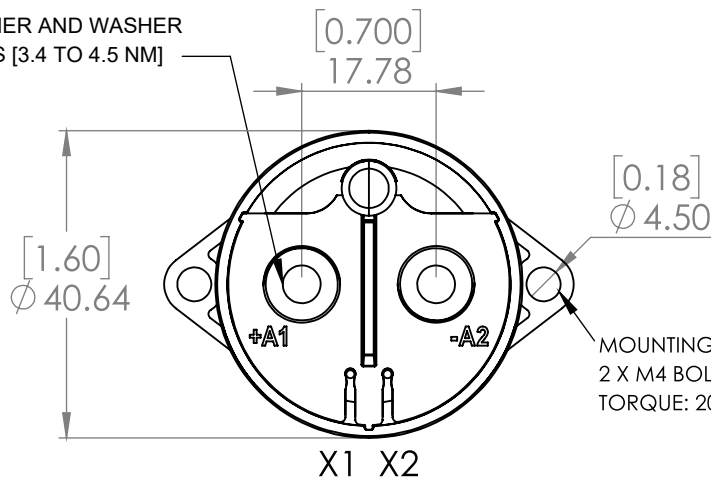
Dimensions are in millimeters [inches]  
Coil terminal polarity is X1 (+) and X2 (-)

M5 FEMALE LOAD TERMINALS - 2 PLACES

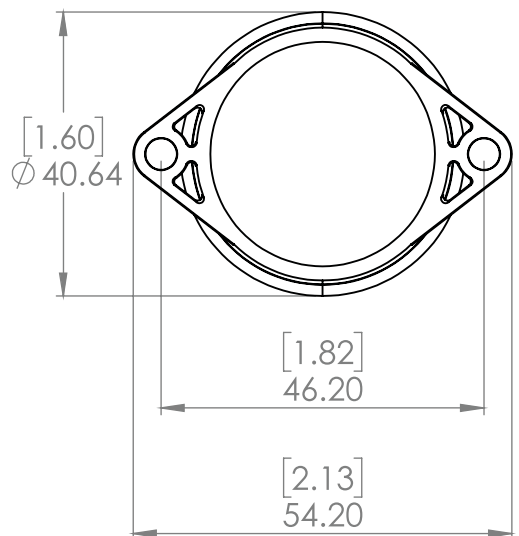
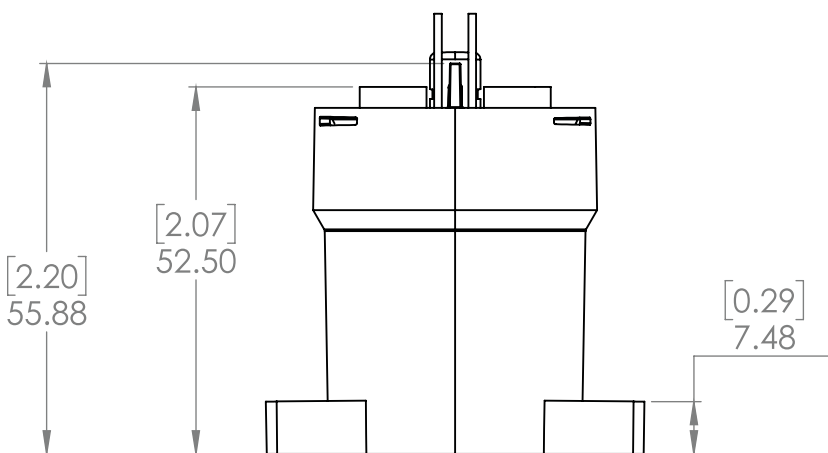
HARDWARE :

2 X M5 BOLT, LOCKWASHER AND WASHER

TORQUE: 30 TO 40 IN-LBS [3.4 TO 4.5 NM]



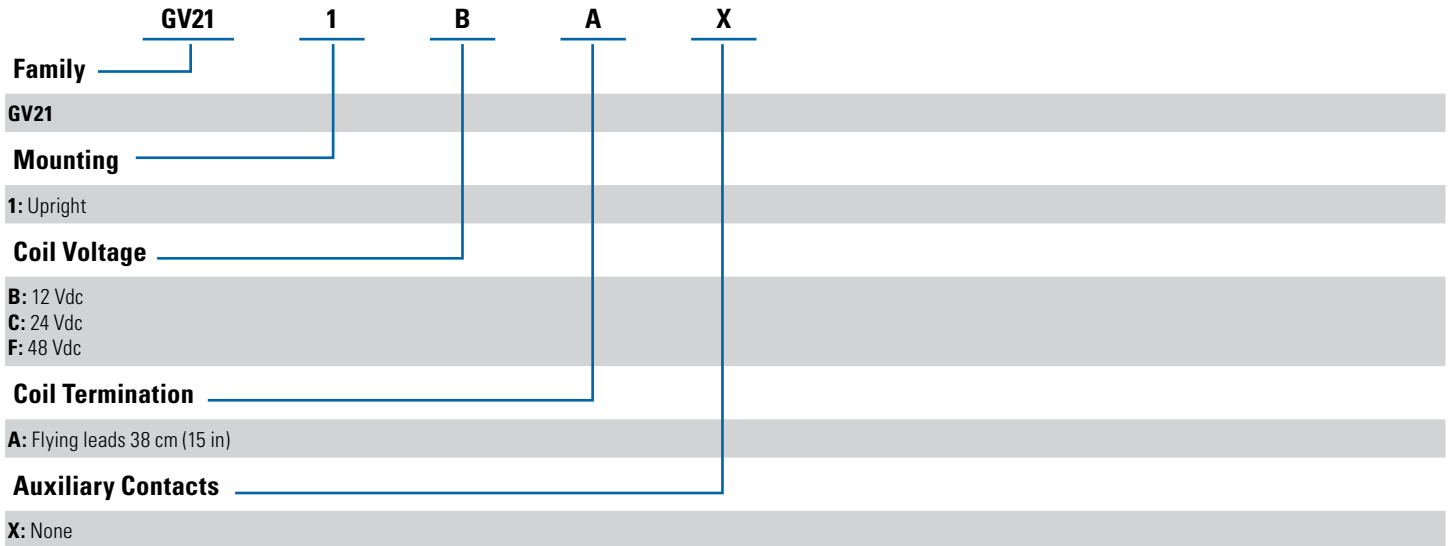
MOUNTING HARDWARE:  
2 X M4 BOLT, LOCKWASHER AND WASHER  
TORQUE: 20 IN-LBS MAX [2.3 NM MAX]





## ORDERING OPTIONS

Example : GV211BAX



## GENERAL NOTES

1. Current rating depends upon conductor size. Keep power terminals below 150°C (max).
2. 3 minutes at +40°C ambient with 8.4 mm<sup>2</sup> (#8 AWG) conductor.



## WARNINGS



### RISK OF MATERIAL DAMAGE AND HOT ENCLOSURE

- The product's side panels may be hot, allow the product to cool before touching
  - Follow proper mounting instructions including torque values
  - Do not allow liquids or foreign objects to enter this product
- Failure to follow these instructions can result in serious injury, or equipment damage.**



### HAZARD OF ELECTRIC SHOCK, EXPLOSION OR ARC FLASH

- Disconnect all power before installing or working with this equipment
  - Verify all connections and replace all covers before turning on power
- Failure to follow these instructions will result in death or serious injury.**

Sensata Technologies, Inc. ("Sensata") data sheets are solely intended to assist designers ("Buyers") who are developing systems that incorporate Sensata products (also referred to herein as "components"). Buyer understands and agrees that Buyer remains responsible for using its independent analysis, evaluation and judgment in designing Buyer's systems and products. Sensata data sheets have been created using standard laboratory conditions and engineering practices. Sensata has not conducted any testing other than that specifically described in the published documentation for a particular data sheet. Sensata may make corrections, enhancements, improvements and other changes to its data sheets or components without notice.

Buyers are authorized to use Sensata data sheets with the Sensata component(s) identified in each particular data sheet. HOWEVER, NO OTHER LICENSE, EXPRESS OR IMPLIED, BY ESTOPPEL OR OTHERWISE TO ANY OTHER SENSATA INTELLECTUAL PROPERTY RIGHT, AND NO LICENSE TO ANY THIRD PARTY TECHNOLOGY OR INTELLECTUAL PROPERTY RIGHT, IS GRANTED HEREIN. SENSATA DATA SHEETS ARE PROVIDED "AS IS". SENSATA MAKES NO WARRANTIES OR REPRESENTATIONS WITH REGARD TO THE DATA SHEETS OR USE OF THE DATA SHEETS, EXPRESS, IMPLIED OR STATUTORY, INCLUDING ACCURACY OR COMPLETENESS. SENSATA DISCLAIMS ANY WARRANTY OF TITLE AND ANY IMPLIED WARRANTIES OF MERCHANTABILITY, FITNESS FOR A PARTICULAR PURPOSE, QUIET ENJOYMENT, QUIET POSSESSION, AND NON-INFRINGEMENT OF ANY THIRD PARTY INTELLECTUAL PROPERTY RIGHTS WITH REGARD TO SENSATA DATA SHEETS OR USE THEREOF.

All products are sold subject to Sensata's terms and conditions of sale supplied at [www.sensata.com](http://www.sensata.com) SENSATA ASSUMES NO LIABILITY FOR APPLICATIONS ASSISTANCE OR THE DESIGN OF BUYERS' PRODUCTS. BUYER ACKNOWLEDGES AND AGREES THAT IT IS SOLELY RESPONSIBLE FOR COMPLIANCE WITH ALL LEGAL, REGULATORY AND SAFETY-RELATED REQUIREMENTS CONCERNING ITS PRODUCTS, AND ANY USE OF SENSATA COMPONENTS IN ITS APPLICATIONS, NOTWITHSTANDING ANY APPLICATIONS-RELATED INFORMATION OR SUPPORT THAT MAY BE PROVIDED BY SENSATA.

Mailing Address: Sensata Technologies, Inc., 529 Pleasant Street, Attleboro, MA 02703, USA.

### Americas

Sensata GIGAVAC  
 Contactor Center of Excellence  
 6382 Rose Lane  
 Carpinteria, CA 93013  
 USA  
 Tel: +1 (805) 684 8401  
 Email: [gigavac@sensata.com](mailto:gigavac@sensata.com)  
 Sensata Global Headquarters  
 Sensata Technologies  
 529 Pleasant Street  
 Attleboro, MA 02703  
 USA

### Europe, Middle East & Africa

Sensata Technologies Holland B.V.  
 Jan Tinbergenstraat 80  
 7559 SP Hengelo  
 The Netherlands  
 Tel: +31743578000  
 Email: [gigavac-info-eu@list.sensata.com](mailto:gigavac-info-eu@list.sensata.com)

## CONTACT US

### Asia Pacific

China  
 Sensata Technologies China Co., Ltd.  
 BM Intercontinental Business Center  
 30th Floor  
 100 Yu Tong Road  
 Shanghai 200070  
 People's Republic of China  
 Tel: +8621 2306 1500  
 Email: [contactorasia@list.sensata.com](mailto:contactorasia@list.sensata.com)  
 Japan  
 Sensata Technologies Japan Ltd.  
 Shin Yokohama Square Bldg. 7F  
 2-3-12 Shin-yokohama  
 Kohoku-ku, Yokohama-shi,  
 Kanagawa 222-0033  
 Tel: +81 45 277 7001  
 Email: [contactorasia@list.sensata.com](mailto:contactorasia@list.sensata.com)