

SPECIFICATIONS

(Preliminary Specifications)

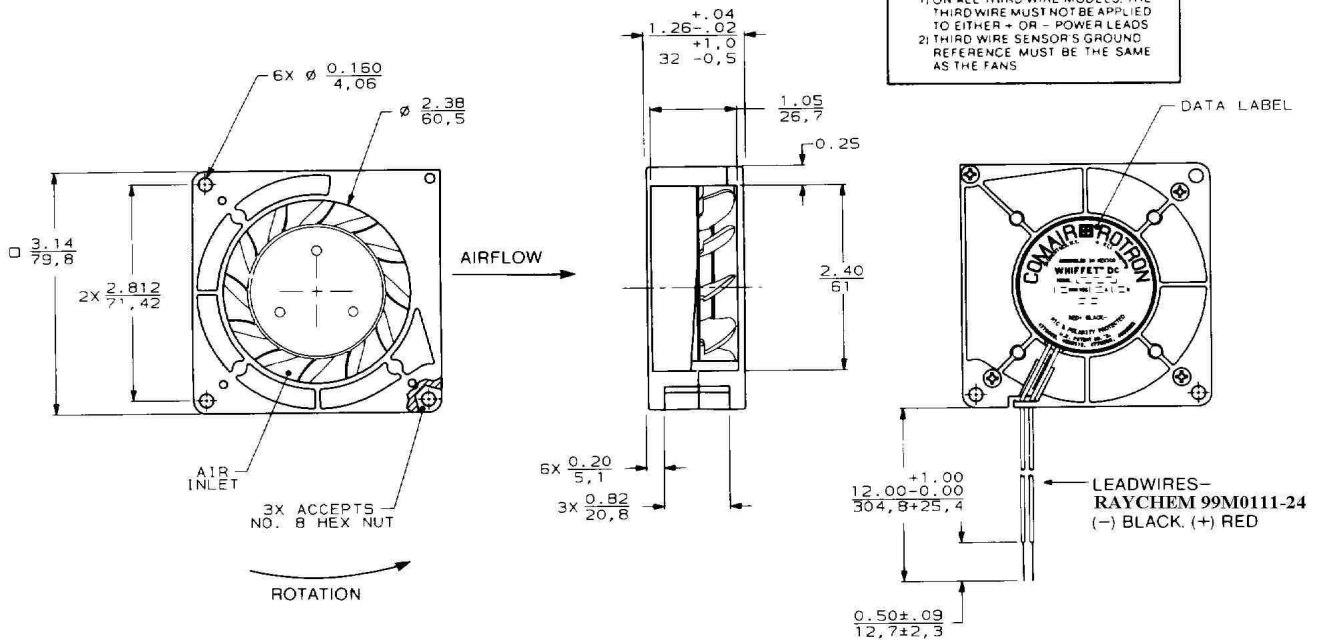
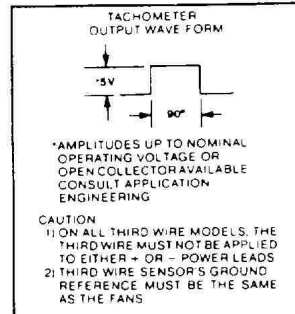


Model Number: WT24B3X-E2
Part Number: 040860

5th January, 2006

DIMENSIONS: $\frac{\text{in}}{\text{mm}} \pm$
 TOLERANCES: .xx = $\frac{.03}{0.8}$
 .xxx = $\frac{.010}{.25}$
 ANGULAR $\pm 2^\circ$
 (UNLESS NOTED)

Specifications subject to change without notice.



Mechanical Drawing:

Motor:

Nominal Voltage	= 24 vdc
Operating Voltage Range	= 12 - 28 vdc
Nominal Running Current	= 0.20 amps
Max. Locked Rotor Current	= 0.525 amps
Running Power	= 5.1 watts
Average Speed	= 4050 RPM
Bearings	= Ball
Air Flow	= 15 CFM
Acoustic	= 51.4 dBA

Construction:

Venturi: Plastic, Black, UL 94V-0
 Propeller: Plastic, Black, UL 94V-0

Agency Approvals:

UL, CUR, TUV

Life Expectancy:

This fan is designed for continuous duty life of 80,000 hours at 25°C.

Additional Features:

Brushless DC Motor
 Locked Rotor Protection
 Polarity Protected
 Operating Temperature: -10°C to 70°C
 Storage Temperature: -40°C to 85°C
 Enviroshield Type 2
 OEM Packaging

Termination:

12" Lead wires, Raychem 99M0111-24
 Red = Fan Power
 Black = Fan Return