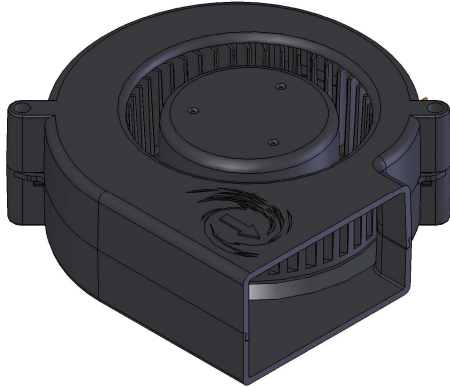


Ambassador



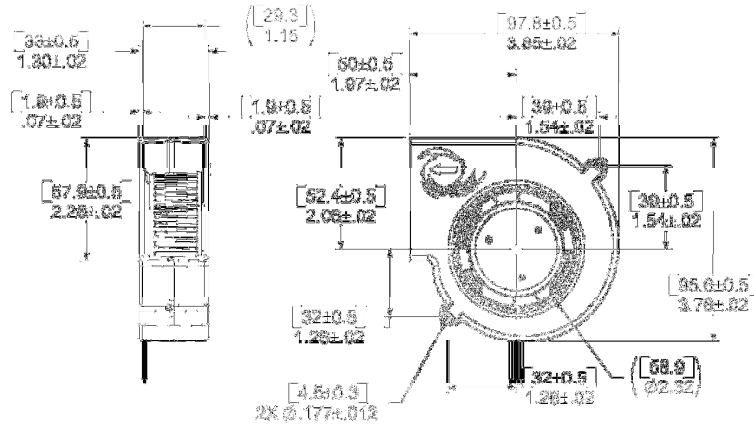
STANDARD FEATURES

- Size: 97.8mm x 33mm deep (3.85" x 1.3")
- Operating Temperature: -10°C to +70°C
- Storage Temperature: -40°C to +85°C
- Weight: 355 g (0.783 lbs)
- Dual Ball Bearings
- Impeller: FR Polycarbonate
- Housing: FR PBT
- Termination: Lead Wires
- Open Collector Tachometer

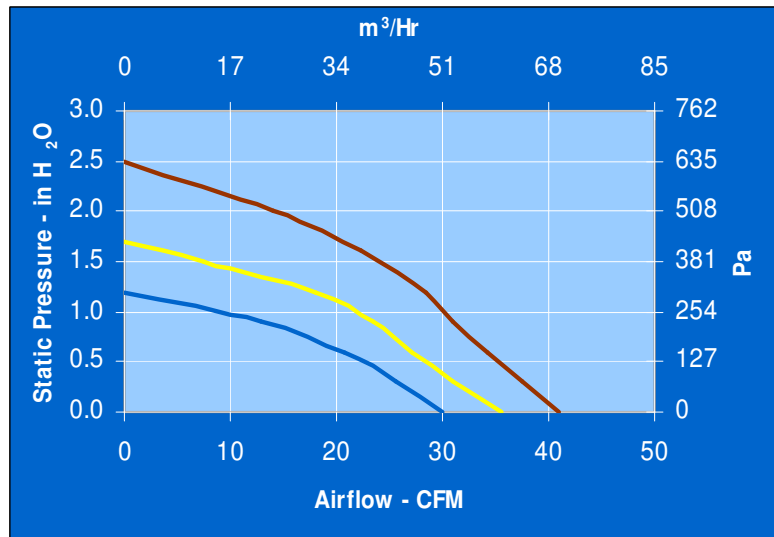
BENEFITS

- Outstanding CFM Performance in High Pressure Systems
- Dependability with an 18 Month Warranty
- Extended Bearing Life
- Soft Start Capability
- Designed with optional performance Features

MECHANICAL DRAWING



PERFORMANCE GRAPH



97 X 33 mm

Model Number	Part Number	Rated Voltage	Operating Voltage Range	Rated Current	Rated Input Power	Speed	Rated Airflow		Rated Air Pressure		Noise
		VDC	VDC				m ³ /hr	CFM	Pa	in H ₂ O	
AMD12B	040714	12	7 - 13.5	0.8	10	3750	51	30	305	1.2	55
AMD12K	040479	12	7 - 13.5	1.3	15	4400	60	35.5	432	1.7	57
AMD24B	040716	24	16 - 28	0.4	10	3750	51	30	305	1.2	55
AMD24K	040717	24	16 - 28	0.6	15	4400	60	35.5	432	1.7	57
AMD24Z	040718	24	16 - 28	0.8	20.5	5000	69	41	635	2.5	59

COMAIR ROTRON, INC

8929 Terman Court, San Diego, CA 92121
 Ph (858) 348-6200 Fax (858) 566-4577
 E-mail: sales@comairrotron.com,
 Web: www.comairrotron.com

